


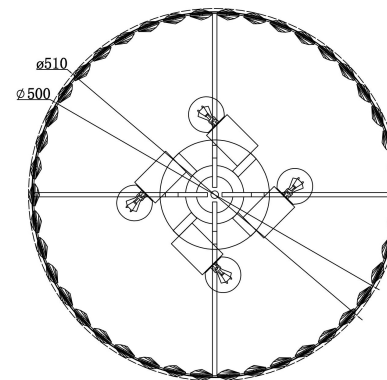
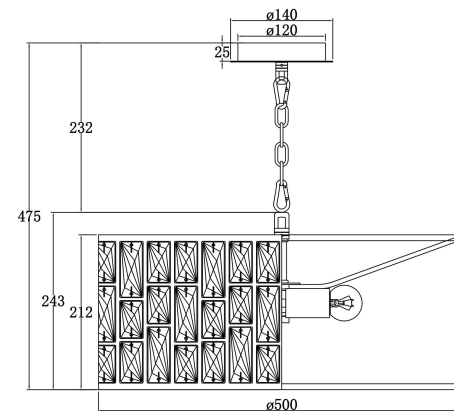


-  A=42
-  B=42
-  C=42




4xE27 60W

Model: MOD184-PL-04-CH

Collection: Modern

Series: Gelid

 Pendant Lamps

This product contains a light source of energy efficiency class