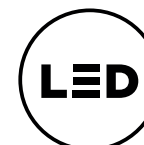
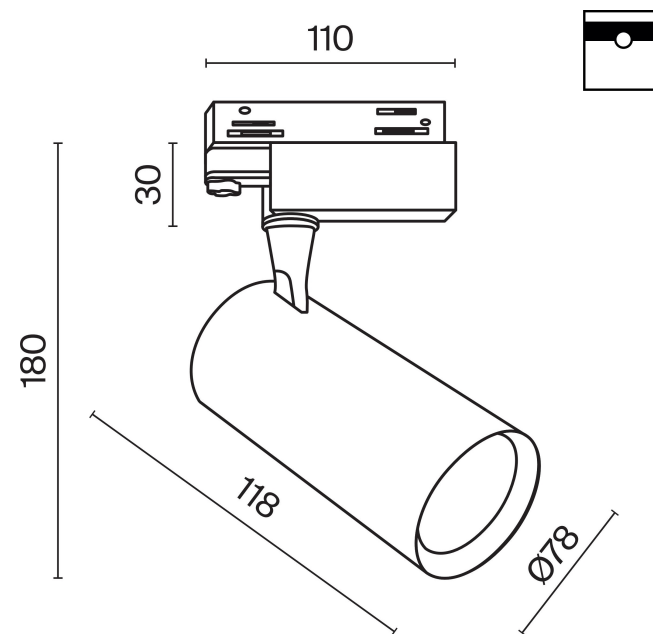
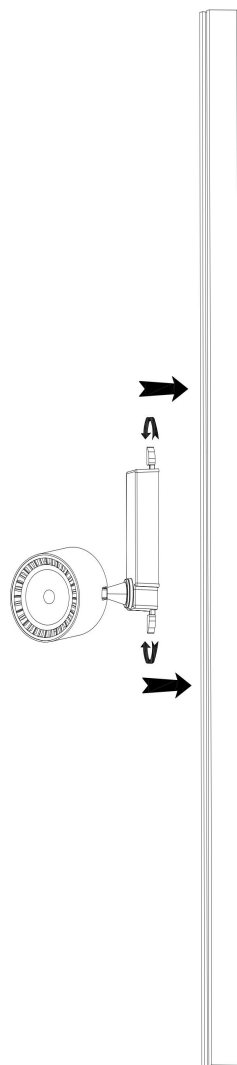


Instruction

TR029-3-10W4K-S-W



MAX 10W
800 Lumen

Model: TR029-3-10W4K-S-W

Collection: Three phase track



This product contains a light source of the energy efficiency class G