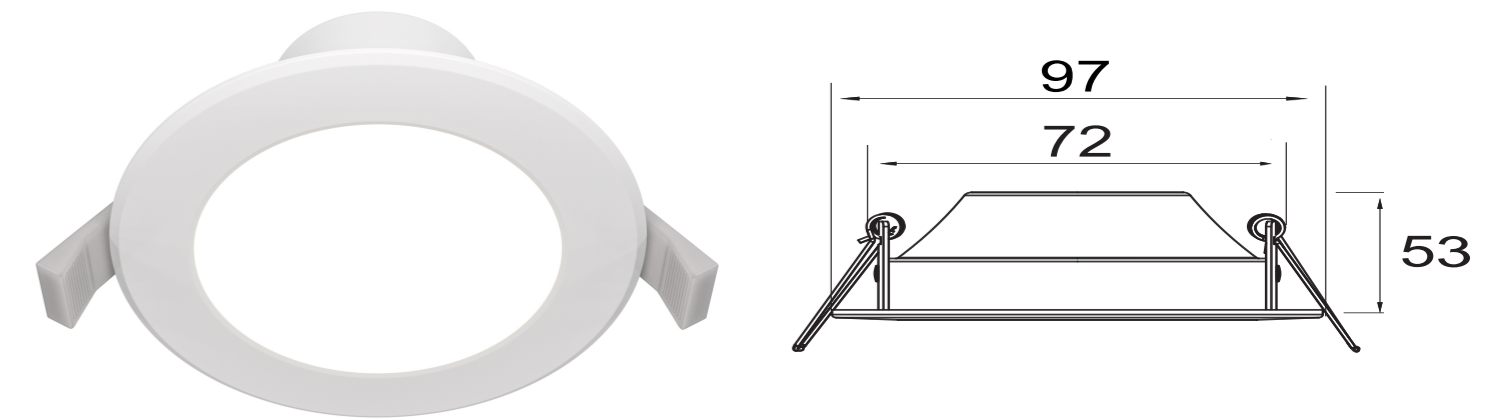




# Downlight Stockton

MAYTONI

NEW
W
LED
IP44
3K-6K



ANGLE SCATTERING	CCT	COLOR	ARTICLE	LAMP POWER	LIGHT FLUX	IP	VOLTAGE RANGE
WASH WIDE	REGULATE	WHITE	DL015-6-L7W	7 W	750 LM	IP44	AC 110-240
 >80°	REGULATE	WHITE	DL016-6-L12W	12 W	1 000 LM	IP44	AC 110-240
	REGULATE	WHITE	DL017-6-L18W3-4-6K	18 W	1 880 LM	IP44	AC 110-240