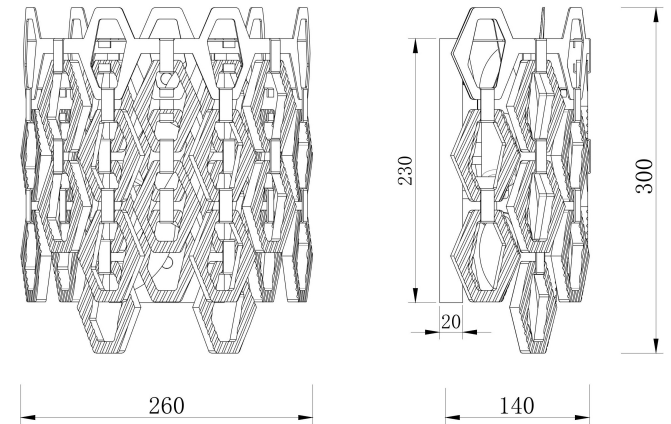


When hanging the glass,  
the twill is in the same direction.

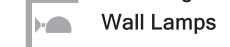


2xE14 40W

Model: MOD490WL-02G

Collection: Neoclassic

Series: Tissage



Wall Lamps

This product contains a light source of  
energy efficiency class