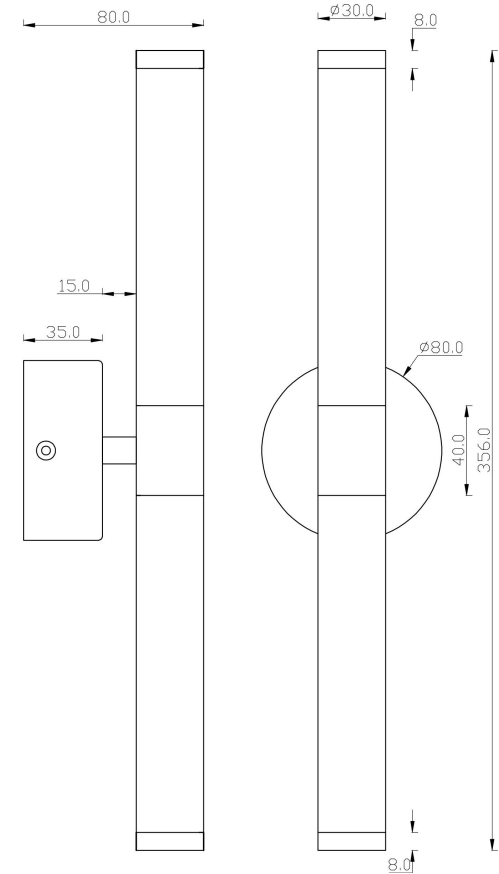
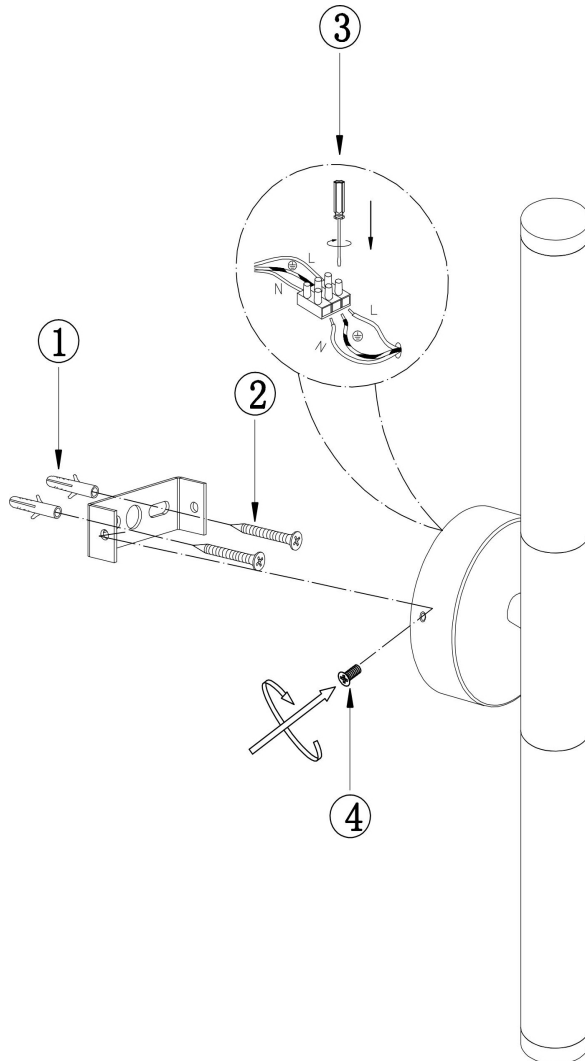


Instruction

MOD106WL-L10G3K

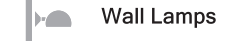


MAX 10W
1 050 Lumen

Model: MOD106WL-L10G3K

Collection: Modern

Series: Axis



Wall Lamps

This product contains a light source of the energy efficiency class F