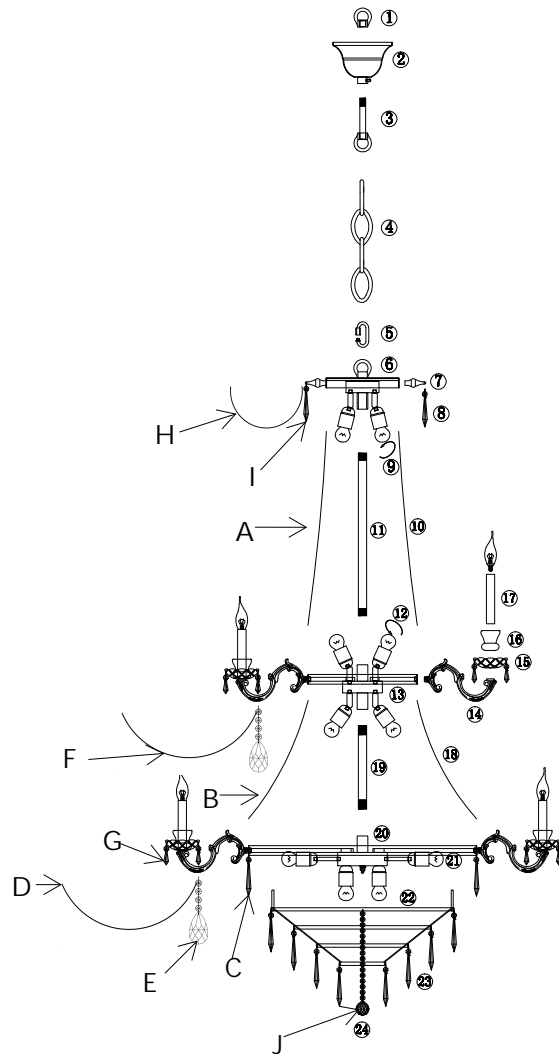
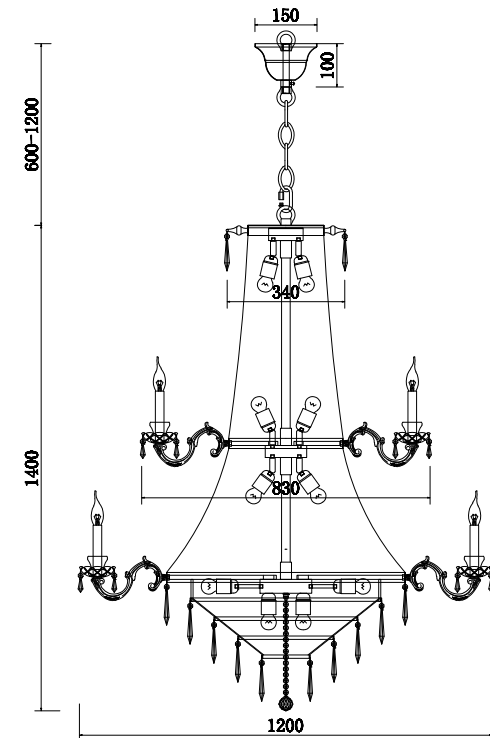


Instruction

DIA890-PL-42-G



- A=40
- B=48
- C=309
- D=10
- E=16
- F=6
- G=64
- H=6
- I=6
- J=1



42 x E27 (60W)

Model: DIA890-PL-42-G
Collection: Royal Classic
Series: Palace



Ceiling Lamps