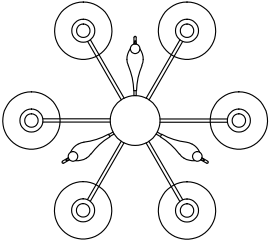
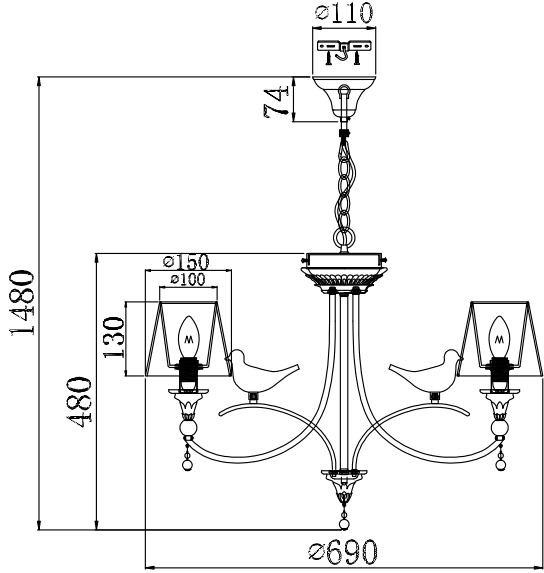
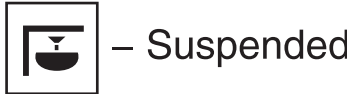
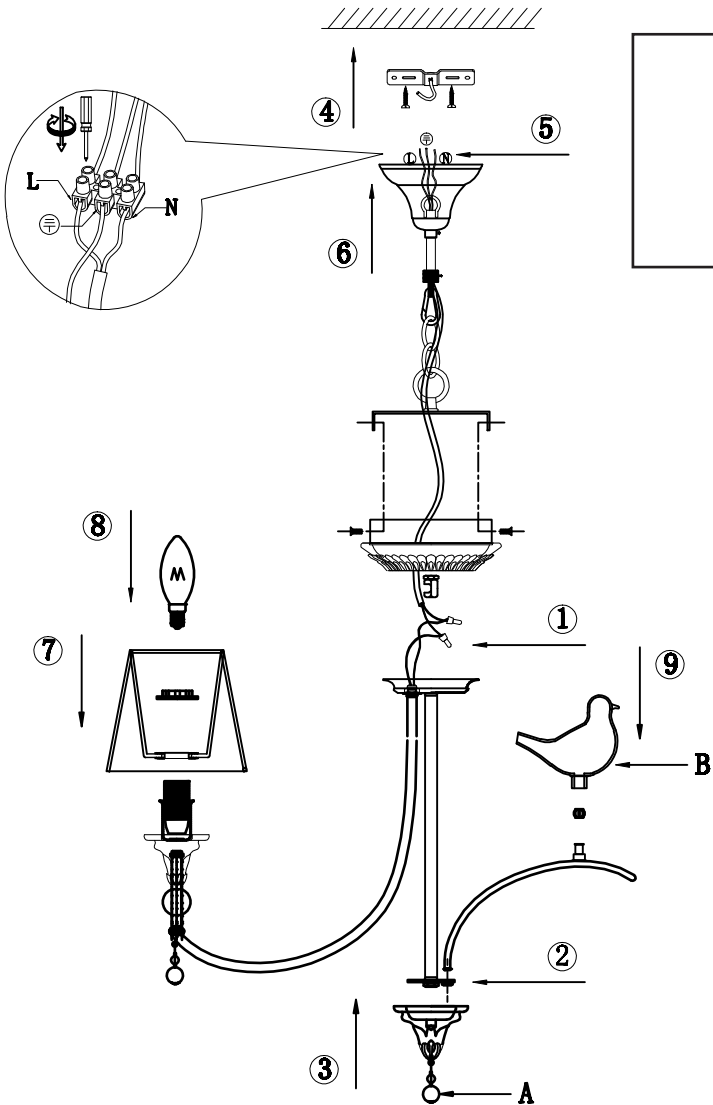



Instruction

Collection: Elegant
 Series: Torino
 Model: ARM139-06-W
 Suspended

A=7
 B=3




 6 x E14 (40w)

MAYTONI
 DECORATIVE LIGHTING

www.maytoni.de